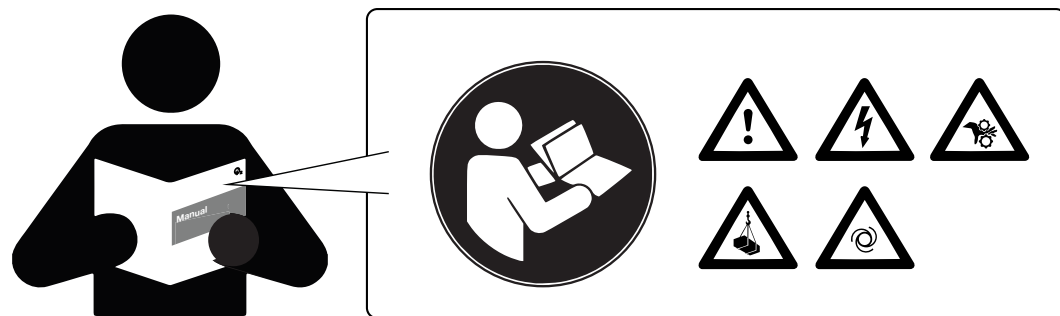
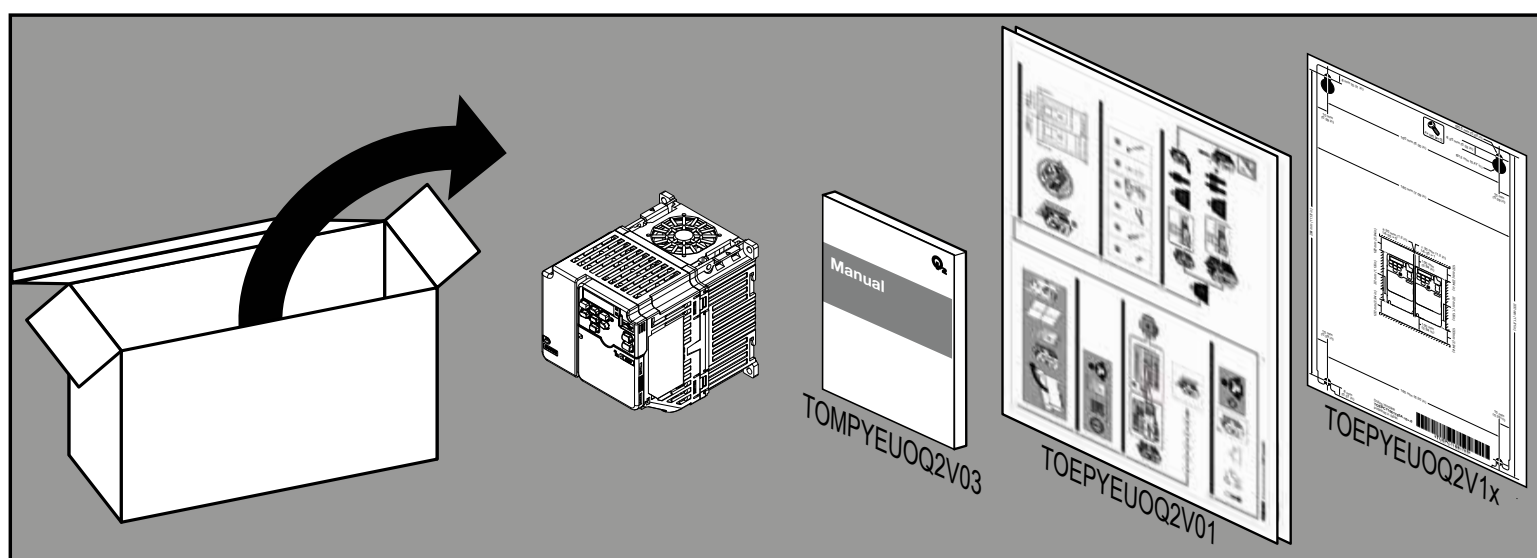
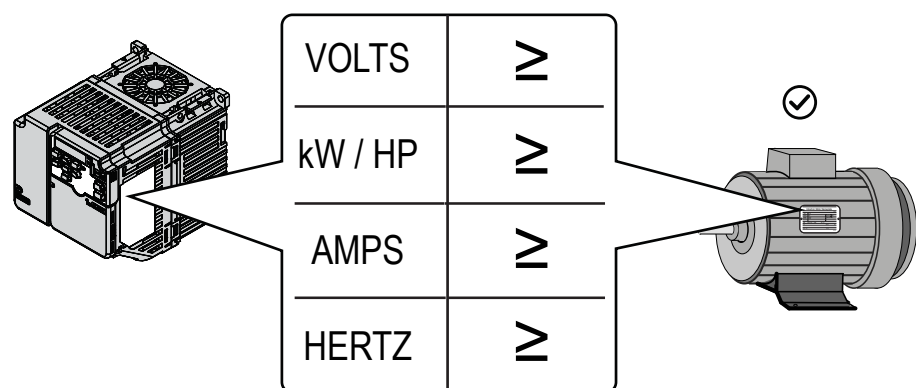


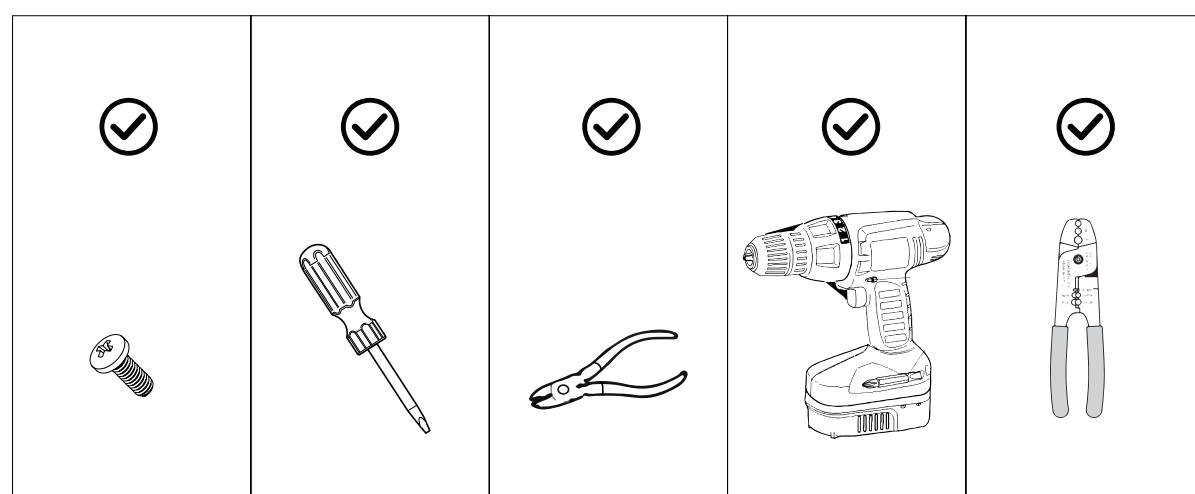
1



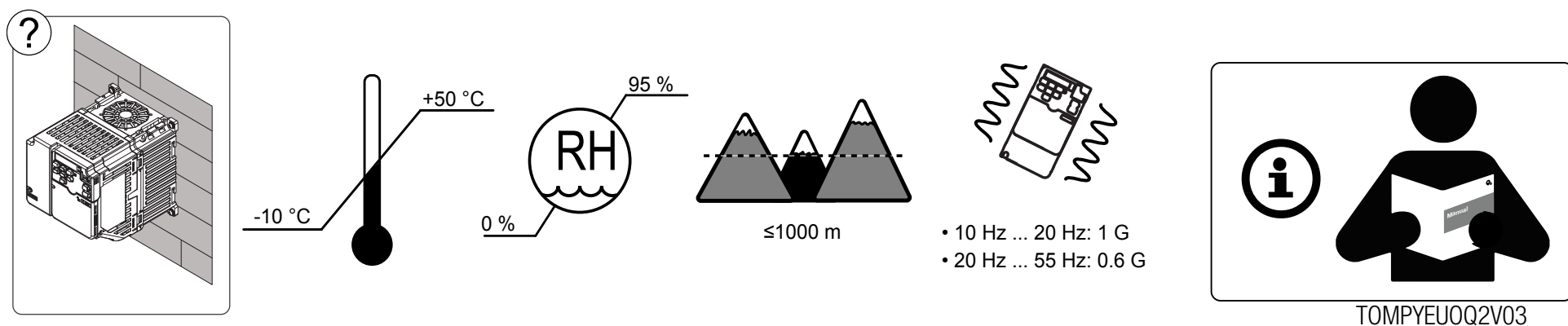
2



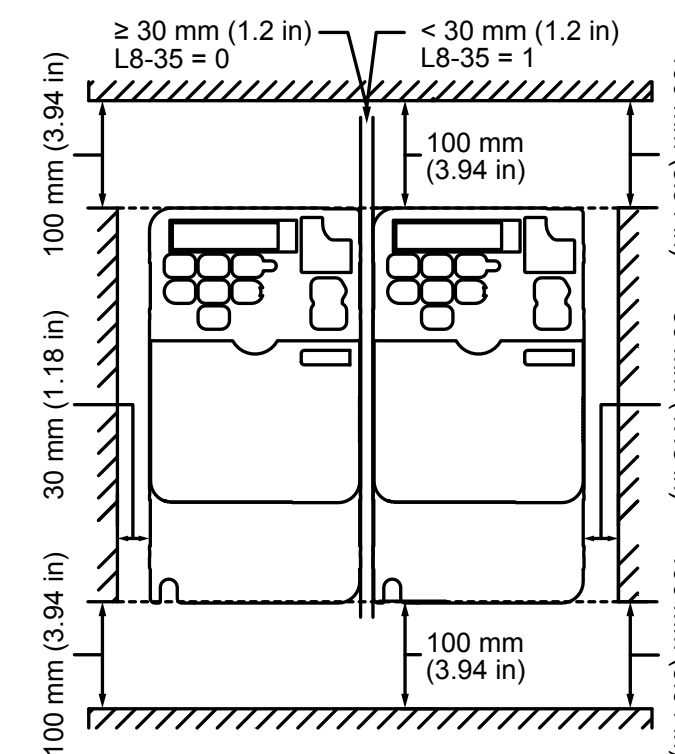
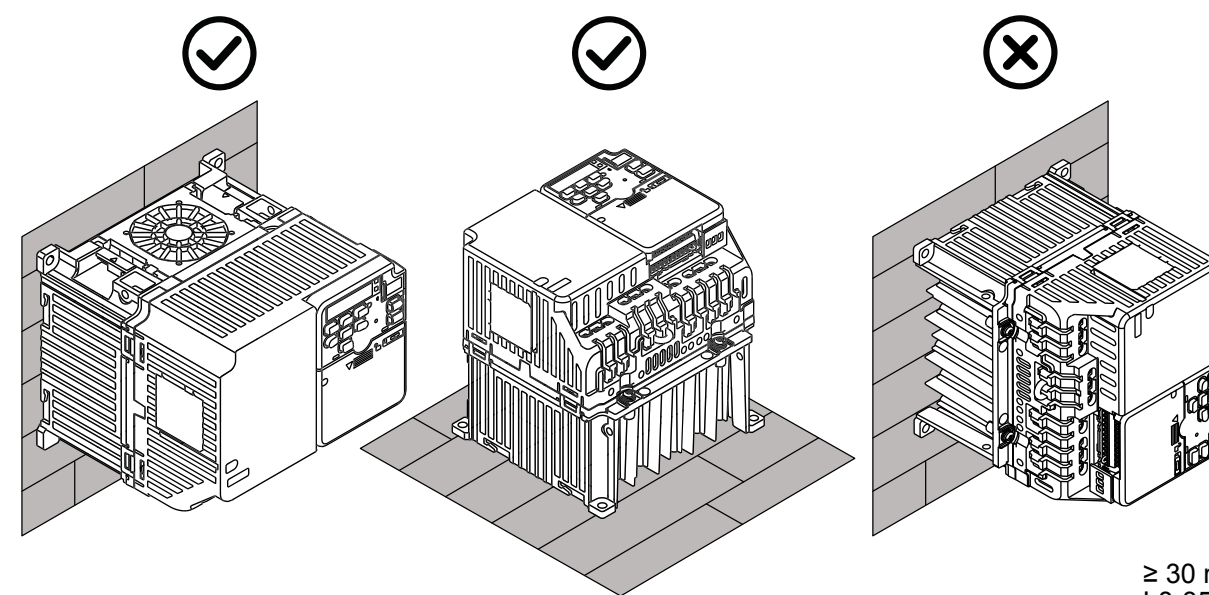
3



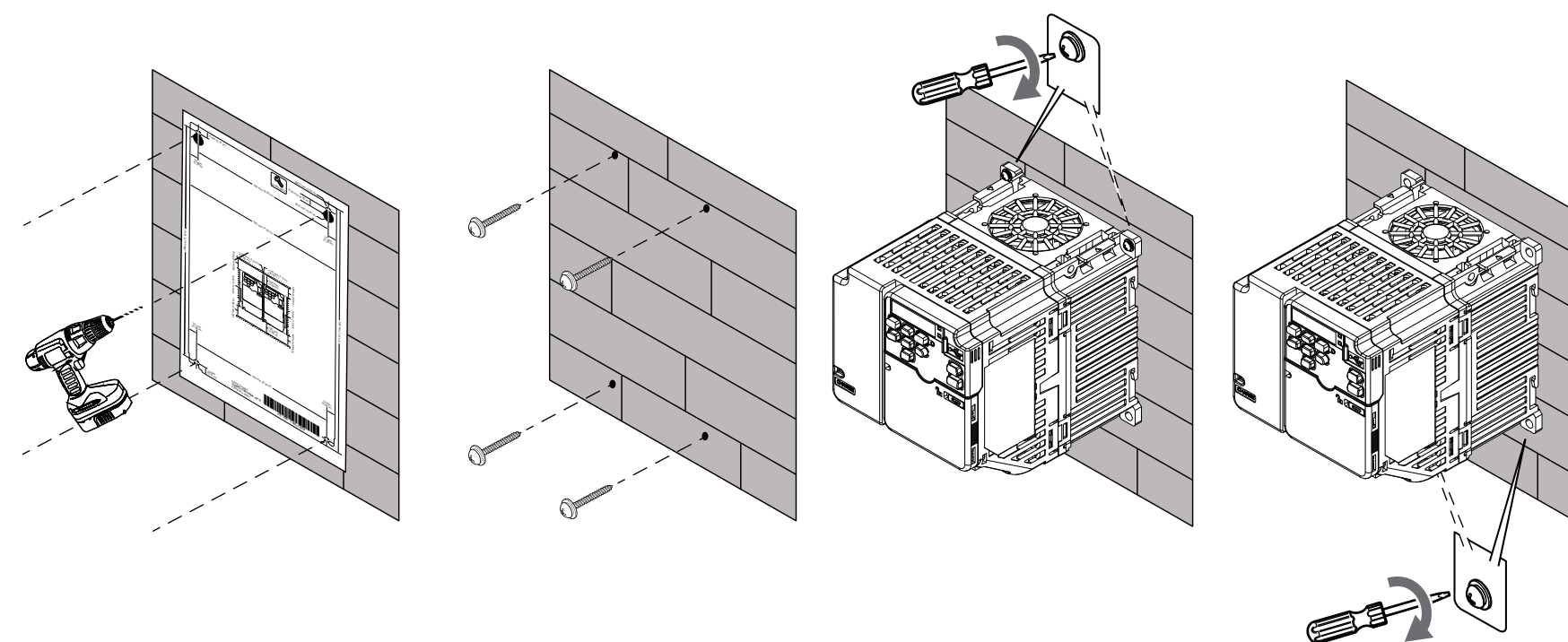
4



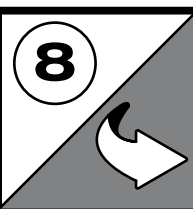
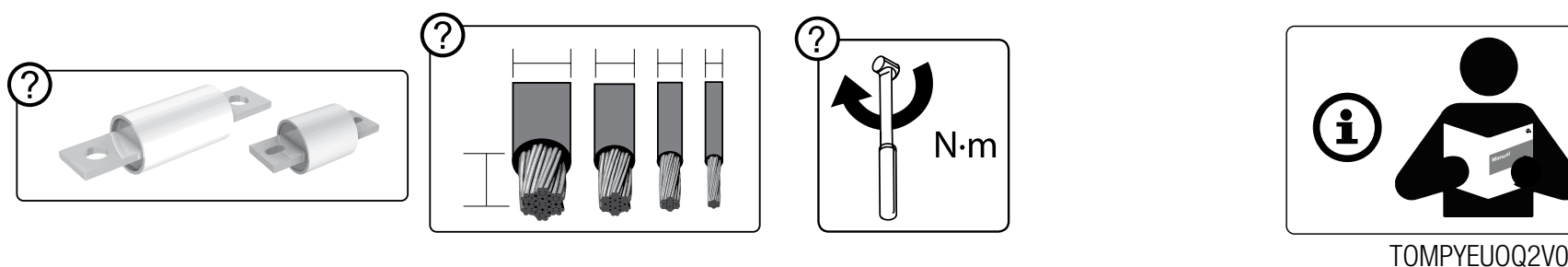
5



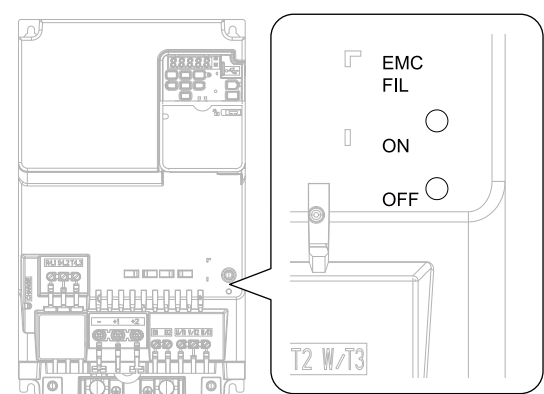
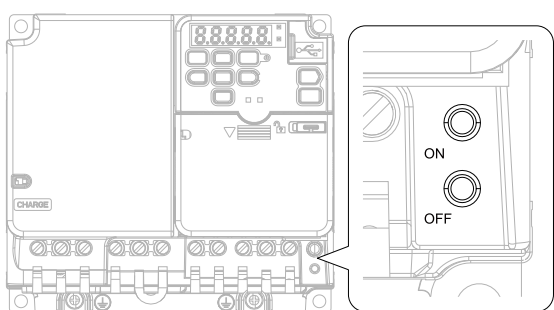
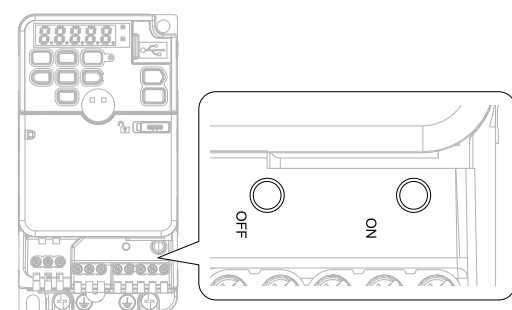
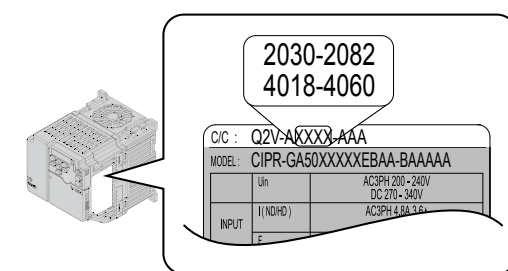
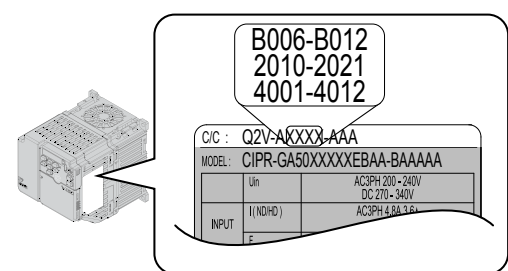
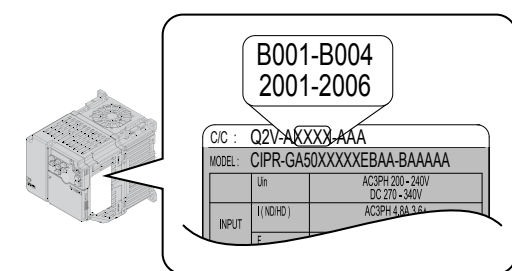
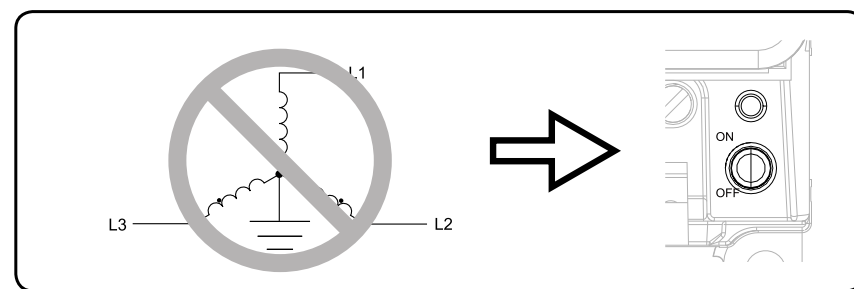
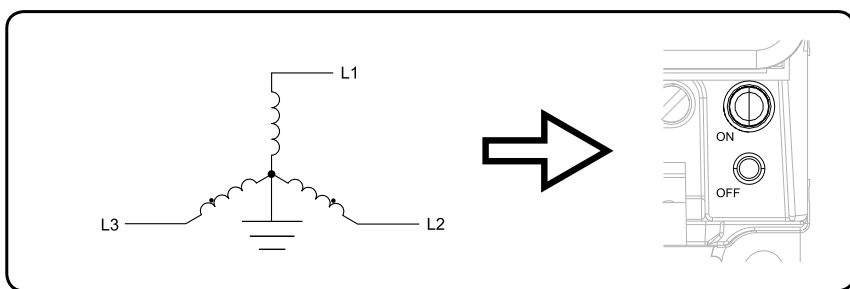
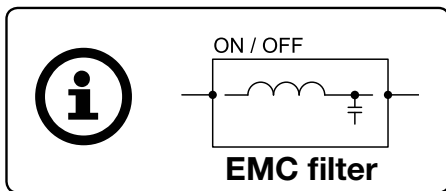
6



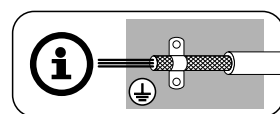
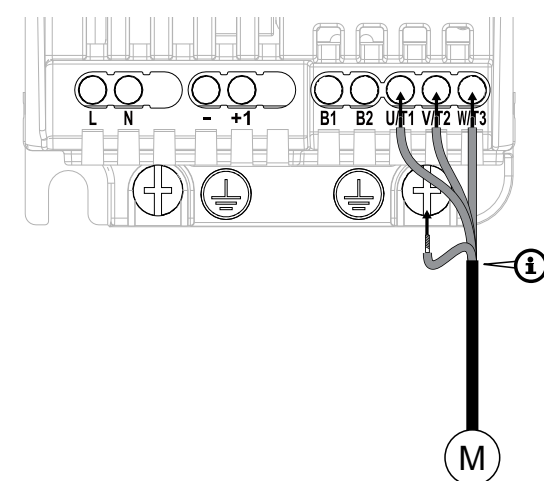
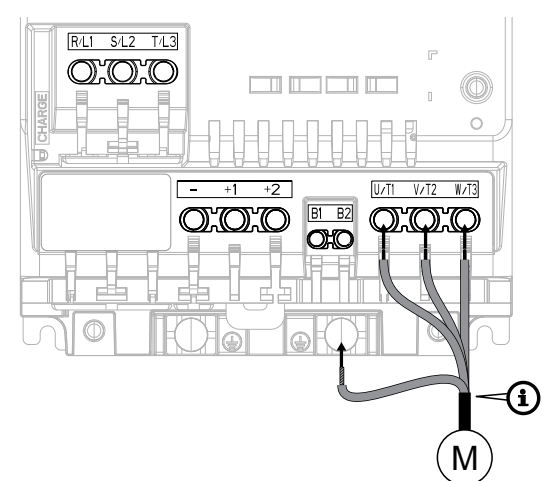
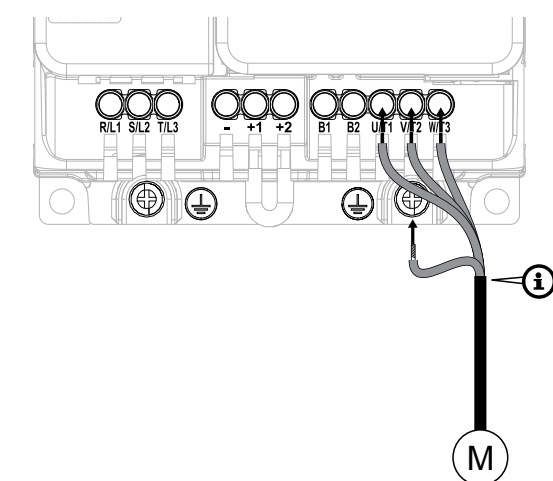
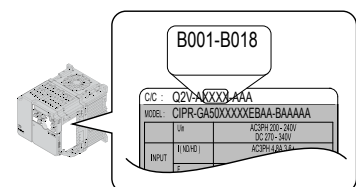
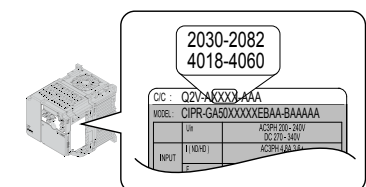
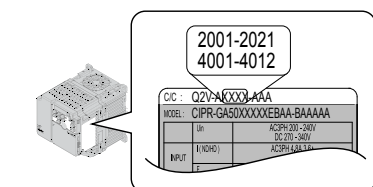
6



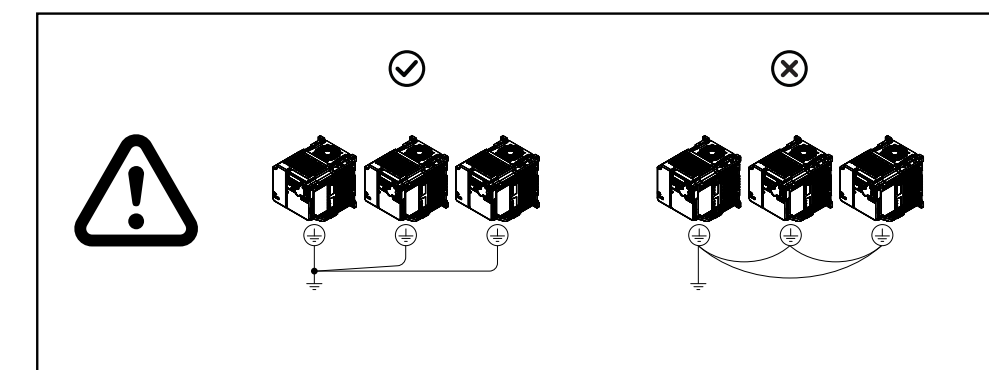
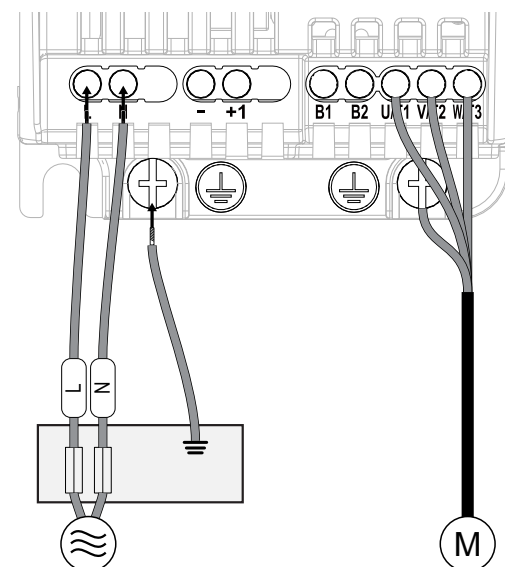
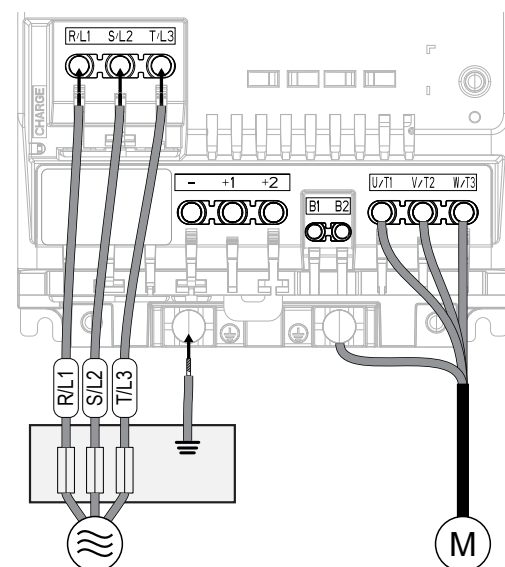
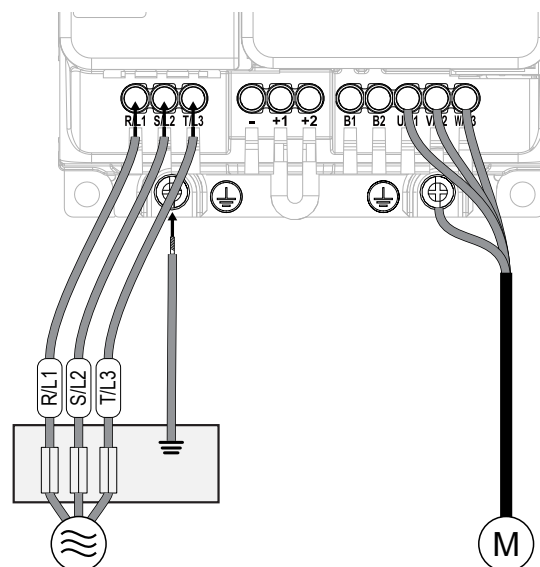
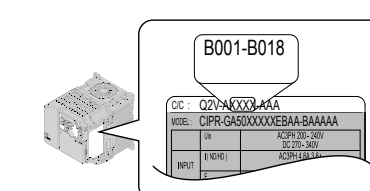
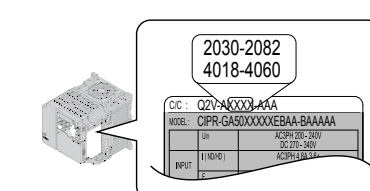
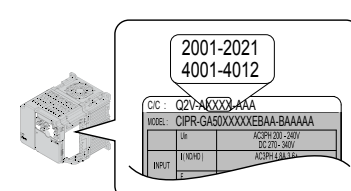
8



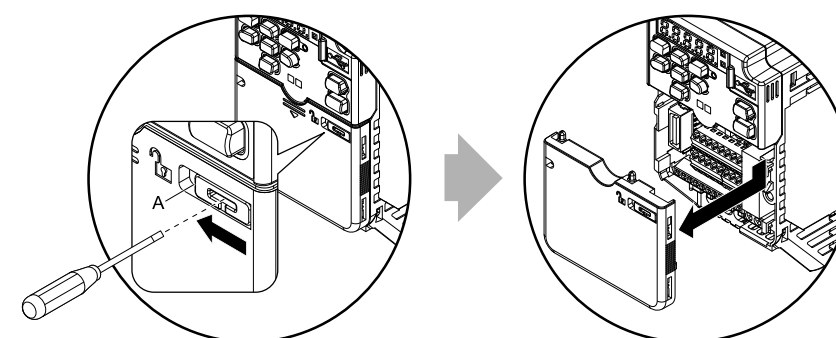
9



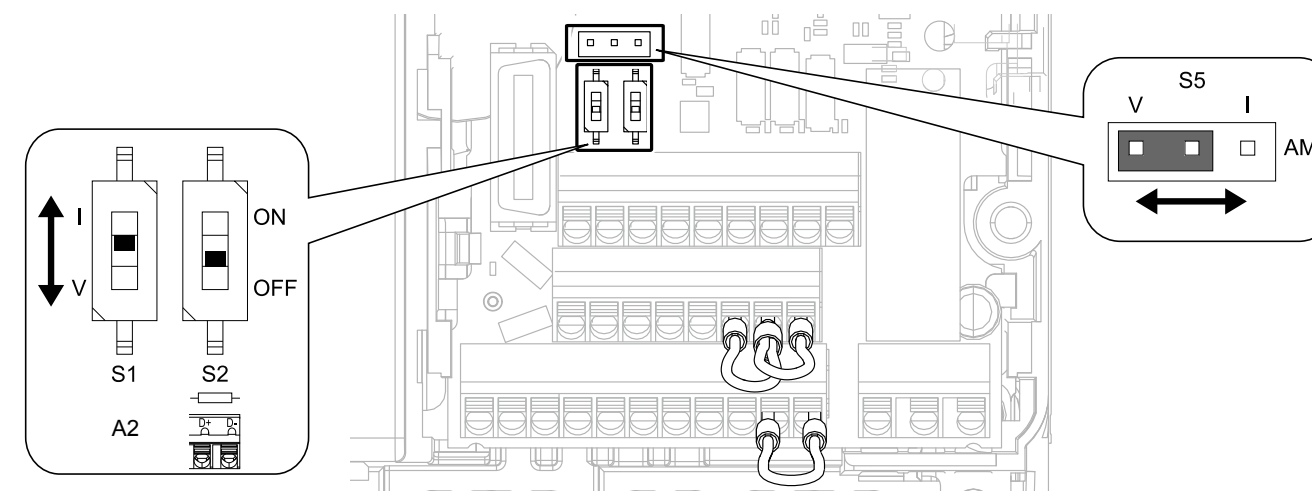
10



11

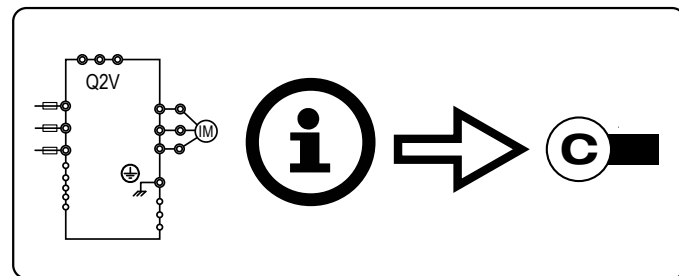
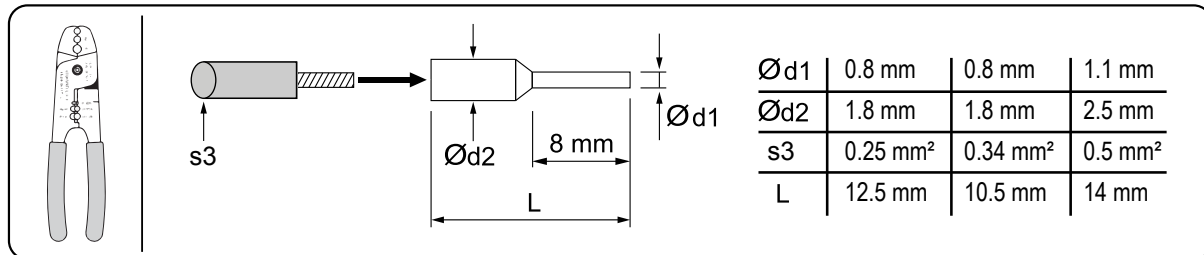
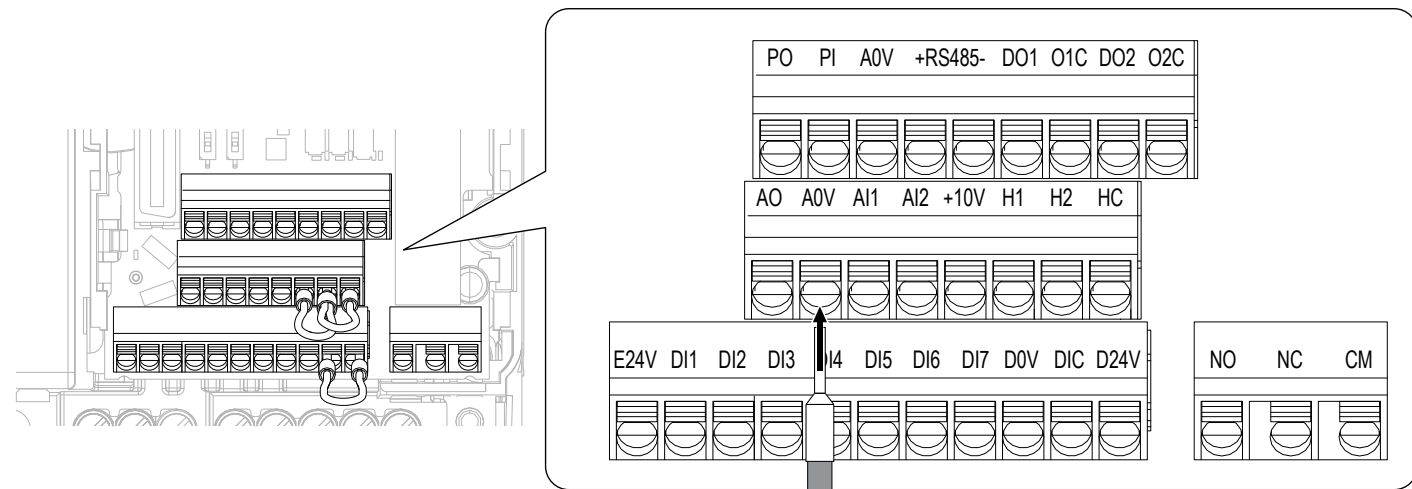


12

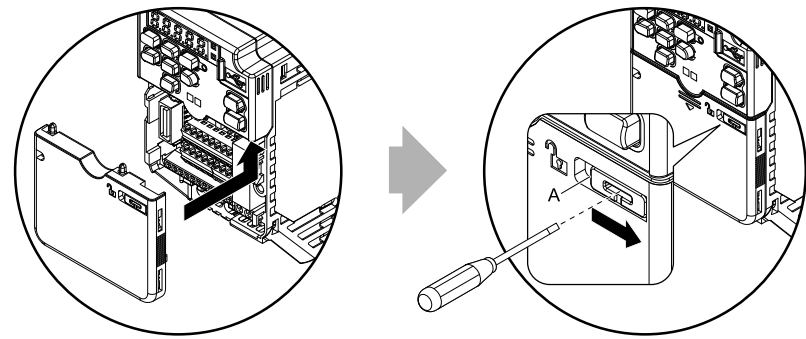


13

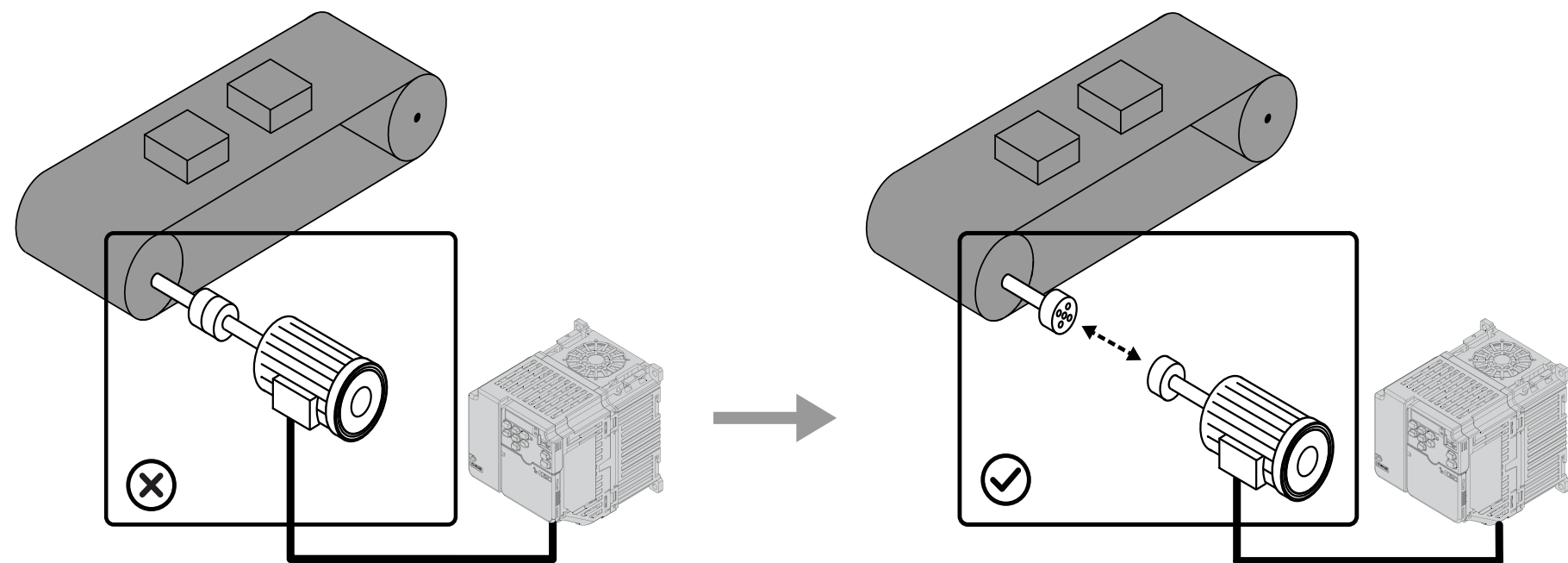
13



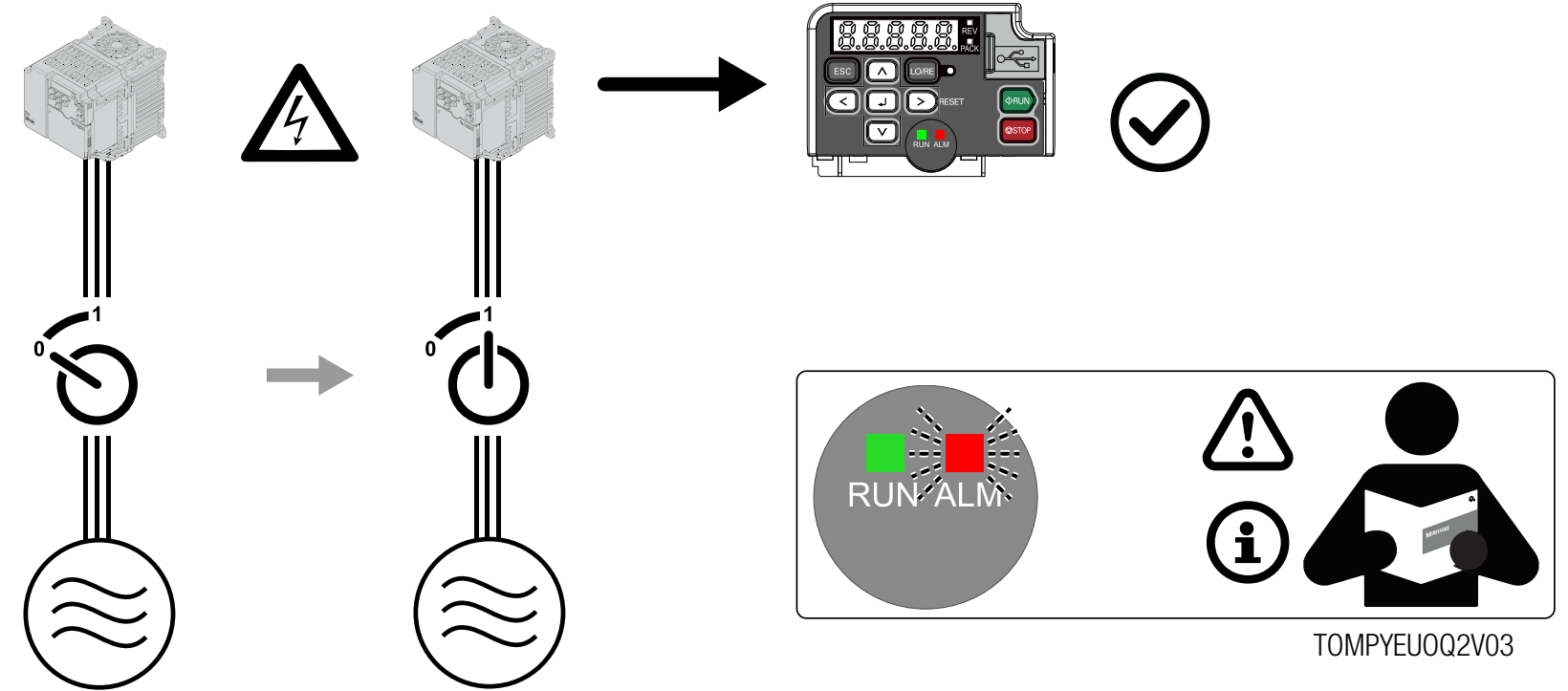
14



15



16

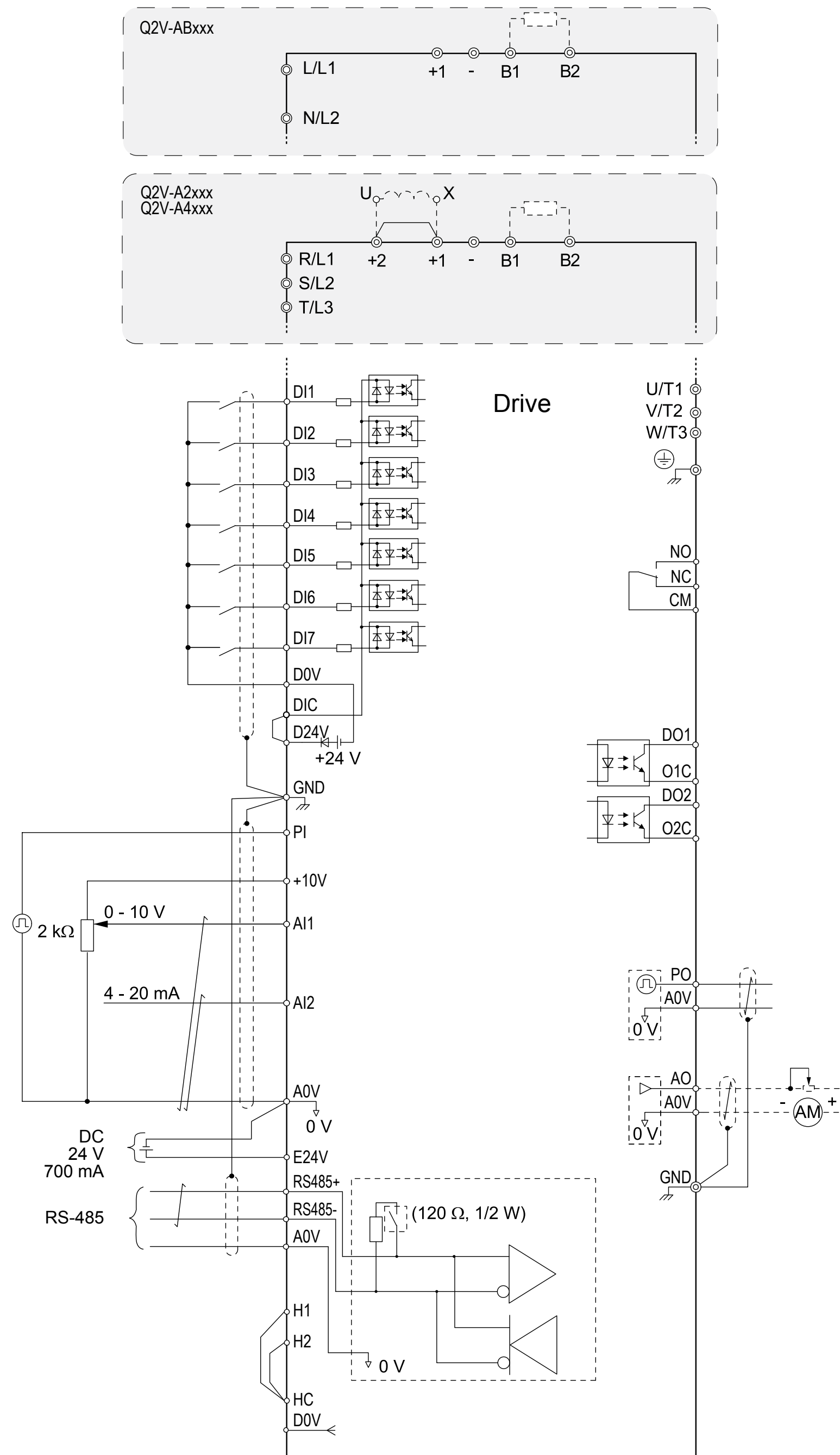


✓

A

A: Initialization	d: Reference Settings	H: Terminal Functions	o: Keypad-Related Settings
A1 Initialization	d1 Frequency Reference	H1 Digital Inputs	o1 Keypad Display
A2 Manual Selection	d2 Reference Limits	H2 Digital Outputs	o2 Keypad Operation
b: Application	d3 Jump Frequency	H3 Analog Inputs	o3 Copy Keypad Function
b1 Operation Mode Selection	d4 Freq. Ref Up/Down & Hold	H4 Analog Outputs	o4 Maintenance Monitors
b2 DC Injection Braking and Short Circuit Braking	d6 Field Weakening/Forcing	H5 Modbus Communication	o5 Log Function
b3 Speed Search	d7 Offset Frequency	H6 Pulse Train Input/Output	q: Q2pack Parameters
b4 Timer Function	E: Motor	H7 Virtual Inputs/Outputs	r: Q2pack Connections
b5 PID Control	E1 V/f Pattern for Motor 1	L: Protection Functions	T: Motor Tuning
b6 Dwell Function	E2 Motor 1 Parameters	L1 Motor Protection	T0 Tuning Mode Selection
b8 Energy Saving	E3 V/f Pattern for Motor 2	L2 Power Loss Ride Through	T1 Induction Motor Auto-Tuning
C: Tuning	E4 Motor 2 Parameters	L3 Stall Prevention	T2 PM Motor Auto-Tuning
C1 Accel & Decel Time	E5 PM Motor Settings	L4 Speed Detection	T3 ASR and Inertia Tuning
C2 S-Curve Characteristics	E9 Motor Setting	L5 Fault Restart	T4 EZ Tuning
C3 Slip Compensation	F: Options	L6 Torque Detection	U: Monitors
C4 Torque Compensation	F1 PG Option Setup (Encoder)	L7 Torque Limit	U1 Operation Status Monitors
C5 Auto Speed Regulator (ASR)	F6 Communication Options	L8 Drive Protection	U2 Fault Trace
C6 Duty & Carrier Frequency	F7 Ethernet Options	n: Special Adjustment	U3 Fault History
		n1 Hunting Prevention	U4 Maintenance Monitors
		n2 Auto Freq. Regulator (AFR)	U5 PID Monitors
		n3 High Slip/Overexcite Braking	U6 Operation Status Monitors
		n5 Feed Forward Control	U8 Q2pack Monitors
		n6 Online Tuning	
		n7 EZ Drive	
		n8 PM Motor Control Tuning	
		nA PM Motor Control Tuning 2	





Terminal	Type	Signal Level	Default
DI1	Multi-functional Digital Input 1 to 7	Photocoupler 24 V, 6 mA	Forward run/Stop
DI2			Reverse run/Stop
DI3			External fault
DI4			Fault reset
DI5			Multi-step speed 1
DI6			Multi-step speed 2
DI7			Jog reference selection
D0V	MFDI power 0 V	24 V, 150 mA maximum (for external fuse)	-
DIC	MFDI common		-
D24V	MFDI power +24 VDC		-
H1	Safe disable input 1	24 V, 6 mA	-
H2	Safe disable input 2	Internal impedance: 4.7 kΩ	-
HC	Safe disable common	Minimum OFF time: 3 ms	-
PI	Master frequency reference pulse train input	Response frequency: 0 ~ 32 kHz H level duty: 30 ~ 70% H level voltage: 3.5 ~ 13.2 V L level voltage: 0.0 ~ 0.8 V Input impedance: 3 kΩ	-
+10V	Frequency setting power supply	10.5 V (20 mA maximum)	-
AI1	Multi-functional Analog Input 1	0 V ~ +10 V/100% (input impedance: 20 kΩ)	Master frequency reference
AI2	Multi-functional Analog Input 2	0 V ~ +10 V/100% (input impedance: 20 kΩ) 4 mA ~ 20 mA/100%, 0 mA ~ 20 mA/100% (input impedance: 250 Ω)	Combined w/ AI1
A0V	Common	0 V	-
GND	Connect shielded cable	-	-
NO	Multi-Functional Digital Output	30 VDC, 10 mA ~ 1 A 250 VAC, 10 mA ~ 1 A Minimum load: 5 V, 10 mA	Fault
NC			Fault
CM	Common	-	-
DO1	Multi-functional Photocoupler Output	48 VDC, 2 mA ~ 50 mA	During run
O1C			Speed agree 1
DO2	Multi-functional Photocoupler Output	48 VDC, 2 mA ~ 50 mA	Speed agree 2
O2C			Speed agree 2
PO	Pulse train out	32 kHz maximum	Output frequency
AO	Analog Monitor Output	0 V ~ +10 V/0% ~ 100% 4 mA ~ 20 mA	Output frequency
A0V	Common	0 V	-
E24V	External 24 V PS input	21.6 VDC ~ 26.4 VDC, 700 mA	-
A0V	External 24 V PS ground	0V	-
RS485+	Communication +, MEMOBUS/Modbus, RS-485	115.2 kbps maximum	-
RS485-	Communication -		-
A0V	Common		0 V