

DIN Track Terminal Blocks

XW5 Series

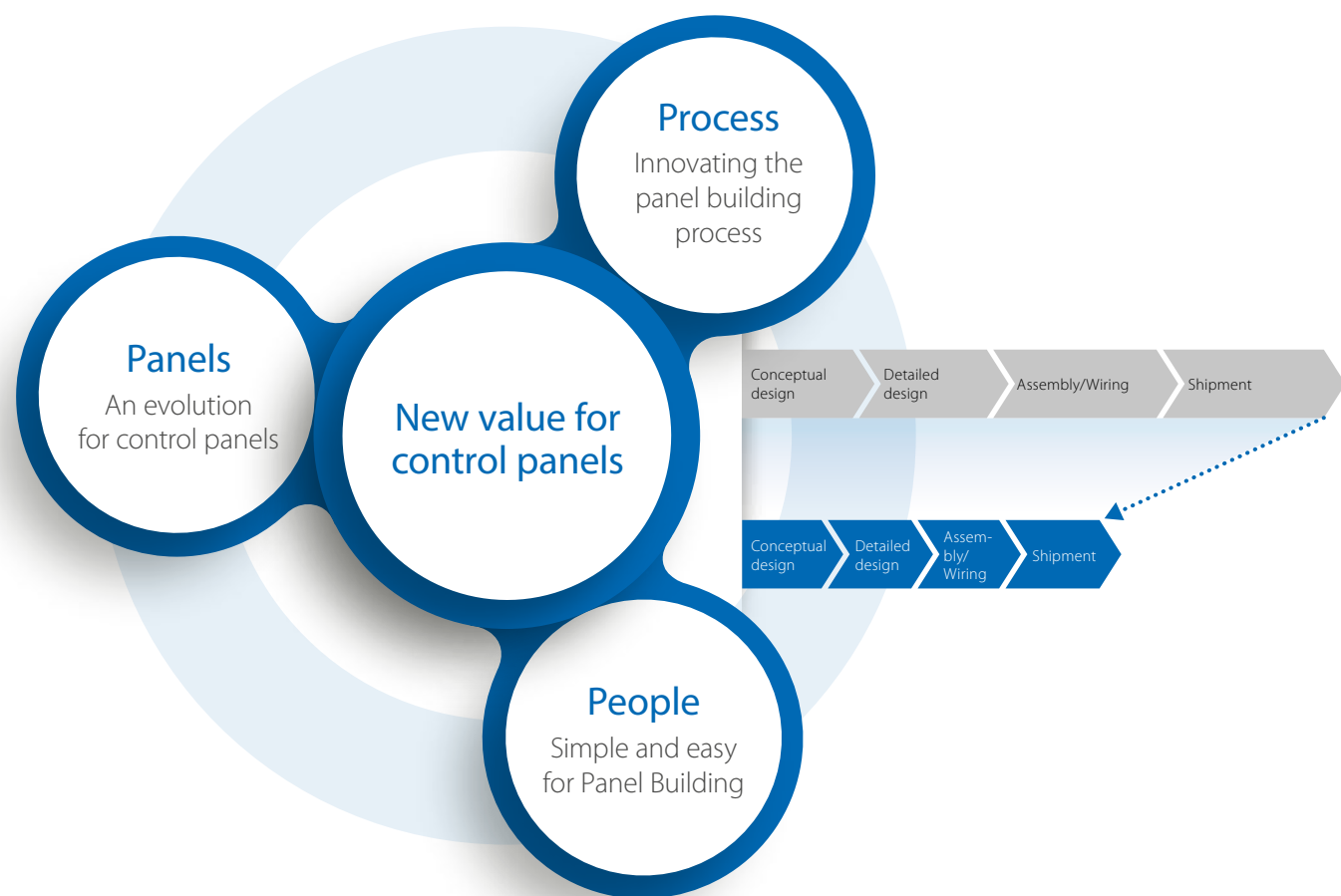


- Push-in plus and screw technology for easy wiring
- Minimum width of 3.5 mm to help downsize control panels
- Connection for large conductors possible with the high-current terminal blocks

New value for control panels

Control panels: The heart of manufacturing sites

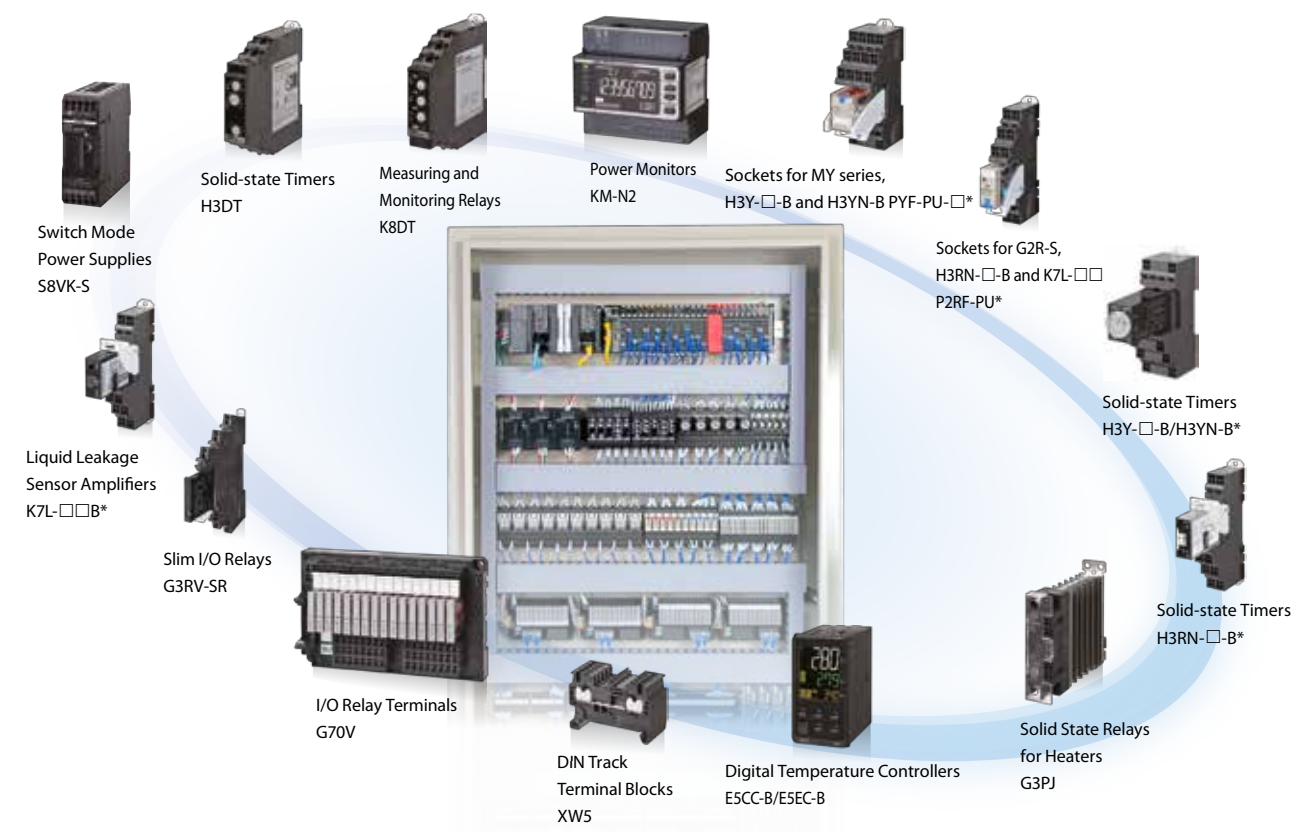
Any evolution within control panel design and manufacturing will result in a follow-on evolution within production facilities, therefore benefitting not only panel builders, but the end users or machine builders. If panel design, panel manufacturing processes and human interaction with panels can be innovated by way of new products, wiring techniques and technologies, then control panel manufacturing becomes simpler and makes a huge leap forward in terms of efficiency. Starting with our shared Value Design for Panel *1 concept for control panel product specification, we look to offer control panel evolution and process innovation for our customers.



***1 Value Design for Panel**

Our shared Value Design for Panel (herein after referred to as Value Design) concept for the specifications of products used within control panels will create new value for our control panel customers. Combining multiple products that share the Value Design concept will further increase the value provided.

We will help you downsize control panels with our control panel components that connect to terminal blocks. We can also help you reduce terminal preparation and wiring work and reduce stock management work by maximizing the use of the components to unify tools and wires.



Our Terminal Blocks portfolio

- Full range of cross connection terminals up to 150 mm²
- Two wiring system technologies:
 - Push-In Plus
 - Screw type
- Smart design for optimised installation
- Suitable for all types of cable even stranded wires without ferrule

*Sockets are sold separately

Push-in plus series XW5T-P and XW5G-P

Wiring possible with stranded wires

You can insert wires with pin terminals or ferrules, or you can also insert solid wires or stranded wires.



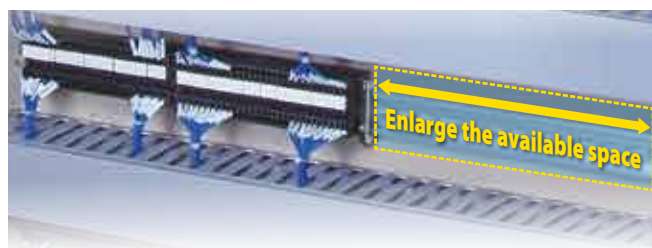
No retightening required

Retightening screws is often necessary for screw terminals, but with push-in plus, there is no (re) tightening.



Create more space in Control Panels with Terminal Blocks which only have a width of 3.5 mm.

Terminal blocks are the most numerous, space-consuming components in control panels. We have achieved the top class in the industry for downsizing.*



*According to OMRON investigation in November 2015.

Held firmly in place

Even though less insertion force is required than other terminal blocks with push-in technology, the wires are held firmly in place – thanks to the advanced mechanism design and manufacturing technology.



Safe

The terminals never touch your fingers, ensuring safety.

Change-over from tightening screws to inserting wires into terminals blocks with Push-in plus technology to reduce wiring.

Wiring is essential in manufacturing control panels, and it has a large weight in the lead time for control panel production. Simplifying and accelerating wiring work therefore dramatically decreases the lead time for control panel production.

INSERTION FORCE	
Earphone Jack	Push-In Plus terminal block
10 N	8 N

Easy to insert

Our push-in plus technology is as easy as inserting to an earphone jack – reducing your work load and improving wiring quality at the same time.

Unique technology

When building a control panel, wiring is almost always the most time-consuming and costly part of the operation. That's why we have developed the unique Push-In Plus technology to reduce wiring time by up to 60%. Moreover, with a range from 1mm² to 4mm² our Push-In Plus portfolio is suitable for all common applications.

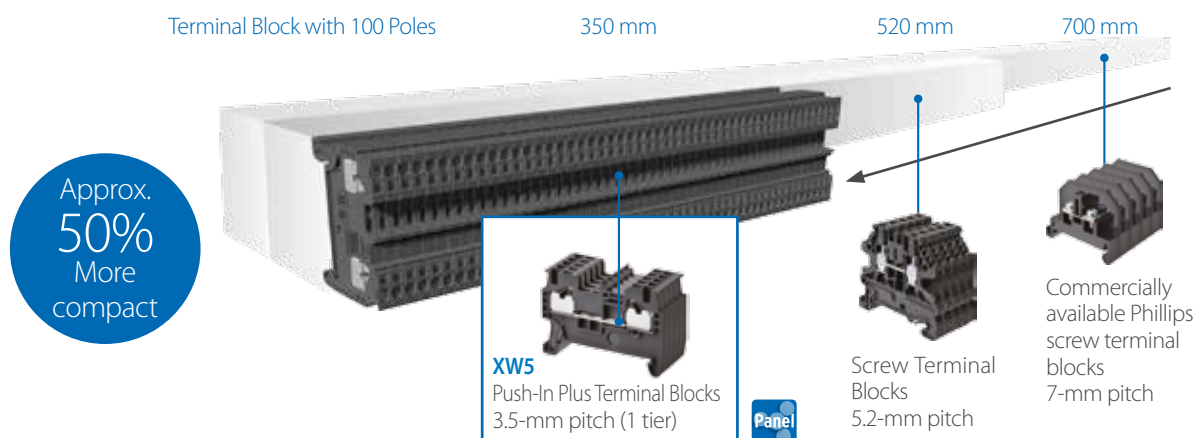
Easy wiring

- Just insert the wire - no tools required
- Reduce wiring time thanks to push-in plus
- Front connection to wire also in small spaces
- Innovative technology



Minimum width of 3.5 mm supports in downsizing control panels

Using Push-in plus technology lets you save space and downsize control panels.



Screw series XW5T-S and XW5G-S

Our Screw Terminal Block series XW5T-S and XW5G-S simplify wiring work and ensure a safe, maintenance-free connection.

Effective wire clamping

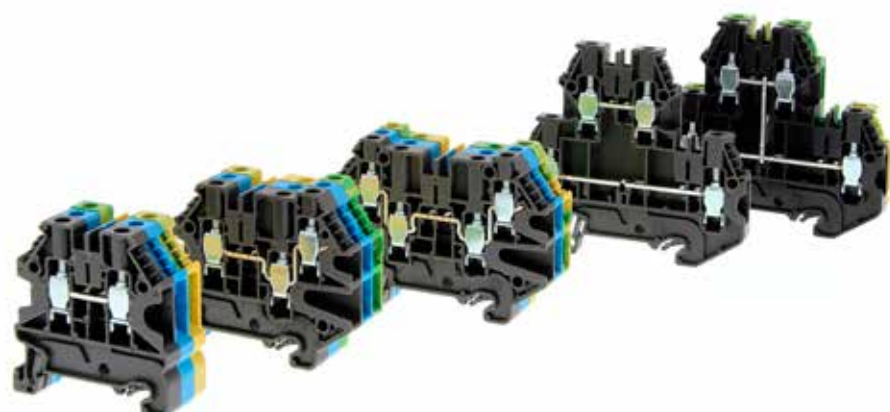
Stable contact force thanks to the specially designed clamping body. Suitable for wires with and without ferrule

Superior materials

- Polyamide housing insulation
- Copper current bar
- Steel clamping body and screws

Smart design

- One-piece thread
- Mechanical stress-free connection and reconnection
- Long-lasting and maintenance-free connection of aluminium and copper wire



Securely clamped - permanently

The shape of our clamping body is specially designed. When the screw is tightened, the folded metal parts to bend around the wire. After retightening, the one-piece thread cannot return to its original position, keeping the wire/cable securely and permanently in place



Standard feed-through terminal

Choose from a wide range of sizes. Our XW5T-S series has feed-through terminal blocks from a cross section of 2.5mm² to 150mm². While our XW5G-S series feed-through ground terminal block offers cross sections from 2.5mm² to 70mm²

Multi-tier

Both levels have a double, pluggable, cross connector row. With the vertical connector model you can connect the four signals together. The multi-level vertical terminal connection is screw only and in black. Multi-tier ground terminal blocks are also available.

Multi-conductor

The XW5T-S saves time with pluggable mounting. This is a plug&play, space-saving solution thanks to the multi-conductor connection. All terminals have a double cross connector row. Multi conductor ground blocks are also available.

Knife disconnect

Disconnection terminal with integrated test socket.

Protected by fuse

To protect circuits against over current short circuit protection via fuses. Fuse terminal with parking position for spare part fuse internal and in the lever. Versions for miniature fuses 5mm and 6.3mm.

	XW5T-P__-1.1-1__	XW5T-P__-1.1-2__	XW5T-P__-2-1__	XW5G-P__-1.1-1	XW5G-P__-1.1-2	XW5G-P__-2-1
Nominal cross section	1-2,5-4mm ²	1-2,5-4mm ²	1-2,5-4mm ²	1-2,5-4mm ²	1-2,5-4mm ²	1-2,5-4mm ²
Standard terminal	0	-	-	0	-	-
Ground blocks	-	-	-	0	0	0
Multi tier terminal	-	0	-	-	0	-
Vertical connection	-	-	-	-	0	-
Multi conductor	-	-	0	-	-	0
Knife edge disconnect	-	-	-	-	-	-
Fuse blocks	-	-	-	-	-	-
Colour	Dark grey, Blue	Dark grey, Blue	Dark grey, Blue	Green/Yellow	Green/Yellow	Green/Yellow

* To create the ordering code add the nominal cross section of the terminal in the middle and at the end it's possible to add BL for blue color ex: XW5T-P2.5-1.1-1BL (2.5mm²; blue color)

** Only for push-in plus terminal block with nominal cross section 1 in the ordering code it's needed to use 1.5 ex: XW5T-P1.5-1.1-1BL (1mm²; blue color)

Screw *	XW5T-S__-1.1-1__	XW5T-S__-1.1-2__	XW5T-S__-2-1__	XW5G-S__-1.1-1	XW5G-S__-1.1-2	XW5G-S__-2-1	XW5T-S4.0-KD	XW5T-S4.0-FU__
Nominal cross section	2,5-4-6-10-16-35-70-150mm ²	2,5-4mm ²	4mm ²	2,5-4-6-10-16-35-70mm ²	4mm ²	4mm ²	4mm ²	4mm ²
Standard terminal	0	-	-	0	-	-	-	-
Ground blocks	-	-	-	0	0	0	-	-
Multi tier terminal	-	0	-	-	0	-	-	-
Vertical connection	-	0	-	-	0	-	-	-
Multi conductor	-	-	0	-	-	0	-	-
Knife edge disconnect blocks	-	-	-	-	-	-	0	-
Fuse blocks	-	-	-	-	-	-	-	0
Colour	Dark grey, Blue	Dark grey, Black	Dark grey, Blue	Green/Yellow	Green/Yellow	Green/Yellow	Gray	Gray

* To create the ordering code add the nominal cross section of the terminal in the middle and at the end it's possible to add BL for blue color and V for vertical model ex: XW5T-P2.5-1.1-1BL (2.5mm²; blue color)

Would you like to know more?

OMRON EUROPE

+31 (0) 23 568 13 00

industrial.omron.eu